



20 GALLON PARTS WASHER INSTRUCTIONS

Please read instructions carefully and retain for future reference. Failure to follow the instructions in this guide may result in damage to the product or parts and / or personal injury.

Parts washers are the perfect solution for cleaning parts and components in any workshop or garage, expelling dirt, grease and oil. An integral electrical pump delivers the cleaning fluid along a directional nozzle to soak the part, making light work of brushing and cleaning.

Product Code: **WSH002**



| SPECIFICATIONS | RECIRCULATING PARTS WASHER |
|--------------------------------|---------------------------------|
| Overall Dimensions | 30-3/4" x 21-1/4" x 35-3/4" |
| Tank Dimensions | 29-7/8" x 20-3/4" x 10-8/10" |
| Max Solvent Capacity | 20 Gallons |
| Max Pump Output Through Spigot | 10 - 12 Litres |
| Electrical Requirements | 115V/60Hz 0.5A / 240V/50Hz 0.5A |
| Gross Weight | 28.0kg |

PARTS LIST

| PART NO | DESCRIPTION | QTY |
|---------|--------------------|-----|
| 01 | Cover | 1 |
| 02 | Work Basket | 1 |
| 03 | Spring Pan | 4 |
| 04 | Pin | 4 |
| 05 | Safety Plate | 1 |
| 06 | Work Shelf | 1 |
| 07 | Main Body Unit | 1 |
| 08 | Spring Washer | 24 |
| 09 | Nut | 24 |
| 10 | O-Ring | 1 |
| 11 | Plug | 1 |
| 12 | Shelf | 1 |
| 13 | Leg | 4 |
| 14 | Pan Screw | 24 |
| 15 | Nut | 5 |
| 16 | Spring Washer | 5 |
| 17 | Screw | 5 |
| 18 | Strain Relief | 2 |
| 19 | Cable & Plug | 1 |
| 20 | Pump Housing | 1 |
| 21 | Screen | 1 |
| 22 | Switch | 1 |
| 23 | Switch Box | 1 |
| 24 | Flexible Pipe | 1 |
| 25 | Elbow Seat | 1 |
| 26 | Pump Body | 1 |
| 27 | Pump Back Cover | 1 |
| 28 | Filter Cover | 1 |
| 29 | Pump Housing Cover | 1 |
| 30 | Elbow | 1 |
| 31 | Plastic Washer | 1 |
| 32 | Spigot | 1 |
| 33 | Location Of Knob | 1 |
| 34 | Filter | 1 |
| 35 | Seal Ring | 1 |
| 36 | Impeller | 1 |
| 37 | Thin Washer | 2 |
| 38 | Seal Ring | 1 |
| 39 | Impeller Holder | 1 |

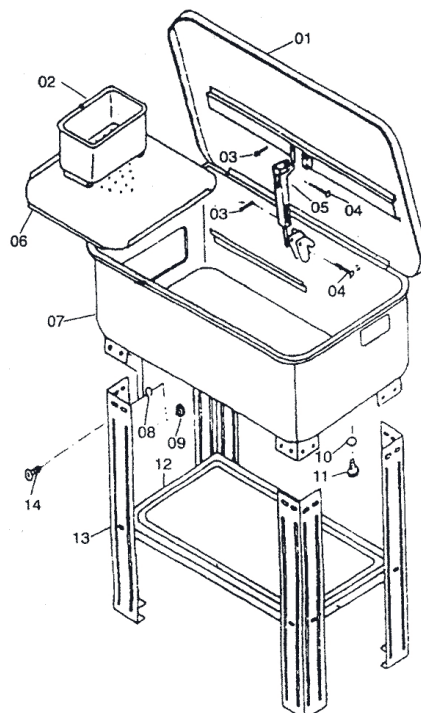
WARNING

USE ONLY approved cleaning solutions: Water/household detergents (PH6-8).

The pump of your parts washer may be damaged if you use solvents other than what is stated above.

ASSEMBLY

1.Remove product from carton and inspect for any visual damage. 2.Remove parts from inside the part washer unit. 3.Lay some clean cardboard or something on the floor to help protect the parts washer, Now lay parts washer on it's lid (Make sure you hold the lid closed when turning over). 4.Mount 4 x legs on brackets with M6 x 12 screws & M6 nuts, Note: DO NOT TIGHTEN. 5.Place lower shelf between legs with the flat surface facing up & attach to legs with M6 x 12 screws & M6 nuts. 6.With legs pressed tight against lower shelf, tighten all screws to lower shelf. 7.Tighten all screws installed in (step 4). 8.Stand the parts washer back up while holding the lid closed. 9.Put the work shelf and basket into the part washer. 10.Mount pump assembly into slot on the side of parts washer then place filter screen in position. 11.Fill the parts washer with the correct cleaning fluid. 12.Plug part washer into mains electric socket 115Volt 60Hz / 240Volt 50Hz). 13.Turn part washer main power switch on, fluid should now be flowing from the flexible spigot and is now ready to use.



TROUBLE SHOOTING

The only trouble you should ever experience with your parts washer is reduced flow or no flow. The probable cause is foreign matter in the flex hose. To fix the problem: Check if the power light is on. Disconnect power plug, remove flex hose from pump flow-out line. Remove front of pump housing by removing 3 screws, clean out any foreign matter lodged around impeller.

