



# HYDRAULIC SCISSOR LIFT STAND INSTRUCTIONS

Please read instructions carefully and retain for future reference. Failure to follow the instructions in this guide may result in damage to the product or motorcycle and / or personal injury.

It is the user's responsibility to check the hydraulic scissor lift is routinely inspected to ensure it is secure and stable.

Robust and sturdy hydraulic lift stand. Foot-operated hydraulic ram, raises bike from platform height 340mm to 830mm. Hard-wearing and grippy top mat protects bike frame, with feature cut out for drain hoses and oil drain access. Adjustable height legs. Drop-prevention safety bar. screw-type footrest clamps secure bike stand. Perfect for garages and workshop, but still light enough to take to the track or race.

Product Code: PDSMX09



## CAUTION

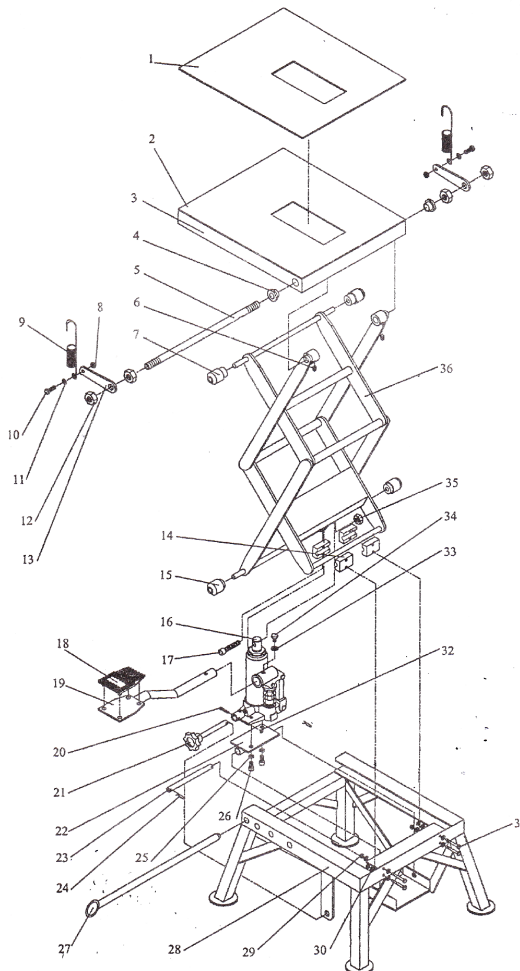
1. The maximum load is 140kgs. **DO NOT** exceed this rated capacity.
2. Use this lift for lifting purpose only. **DO NOT** use it for any other purpose it is not designed to perform.
3. Keep children and unauthorized persons away from the work area.
4. Only use the lift on a surface that is stable, level, dry and not slippery, and capable of sustaining the load. Keep the surface clean, tidy and free from unrelated materials.
5. Before lifting ensure the motorcycle is adequately secured to the lifting platform using the springs.
6. When the platform has been raised to the working height, ensure the locking bar is engaged to prevent accidental lowering.
7. Always keep your hands and feet away from moving parts.
8. When work is done, check under the lift to ensure there are no obstructions and that it is safe to lower the lift. Remove the locking bar and then slowly turn the release to gently lower the lift.
9. **DO NOT** allow untrained persons to operate the lift.
10. **DO NOT** make any modifications to this lift.
11. **DO NOT** expose the lift to rain or snow.
12. Ensure that you read, understand and apply the safety instructions and warnings before use.

## MAINTENANCE

1. When not in use, the lift must be stored in the lowest position in a dry location to minimize ram and piston corrosion.
2. Keep the lift clean and wipe off any oil or grease. Lubricate all moving parts.
3. Periodically check the ram and piston for signs of corrosion. Clean exposed areas with a clean oiled cloth.
4. Before each use check all parts, if any part of the lift is damaged or suspect, remove the lift from service and take necessary action to repair.
5. If the lift is not lifting fully, open the release valve and pump the lift foot pedal rapidly 15 to 20 times to purge away air from the hydraulic system.

## SPECIFICATIONS

Lifting Capacity.....140kgs  
 Minimum Height.....340mm  
 Maximum Height.....830mm  
 Net Weight.....28kgs



## PARTS LIST

No.	Description	Qty
1	Rubber pad	1pc
2	Steel plate	1pc
3	Upper frame	1pc
4	Nylon sleeve	2pc
5	Axle	1pc
6	Stop screw	2pc
7	Upper roller	2pc
8	Nut M8	2pc
9	Screw in clamps	2pc
10	Bolt M8x16	2pc
11	Washer 8	2pc
12	Nut M16	4pc
13	Plate	2pc
14	Fixing block	4pc
15	Lower roller	2pc
16	Pump	1pc
17	Bolt M10X50	1pc
18	Rubber pad	1pc
19	Lift foot pedal	1pc
20	Bolt M4x25	1pc
21	Release valve	1pc
22	Connecting plate	1pc
23	Connecting pin	1pc
24	R-pin	2pc
25	Lock washer 8	2pc
26	Bolt M8x16	2pc
27	Locking bar	1pc
28	Base frame	1pc
29	Damping nut M5	4pc
30	Washer 5	8pc
31	Bolt M5x40	4pc
32	Damping nut M4	1pc
33	Washer 8	1pc
34	Bolt M8x12	1pc
35	Damping nut M10	1pc
36	Lifting arm assy	1pc