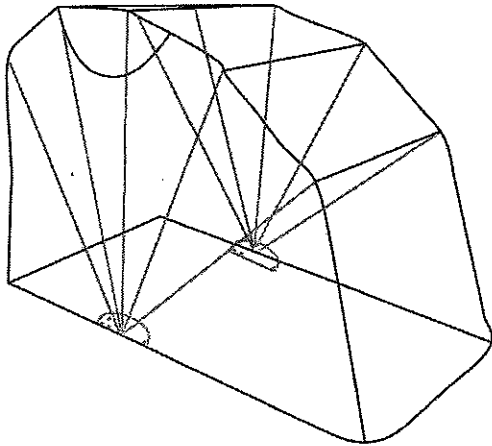


# ARMADILL

COVER GUARD

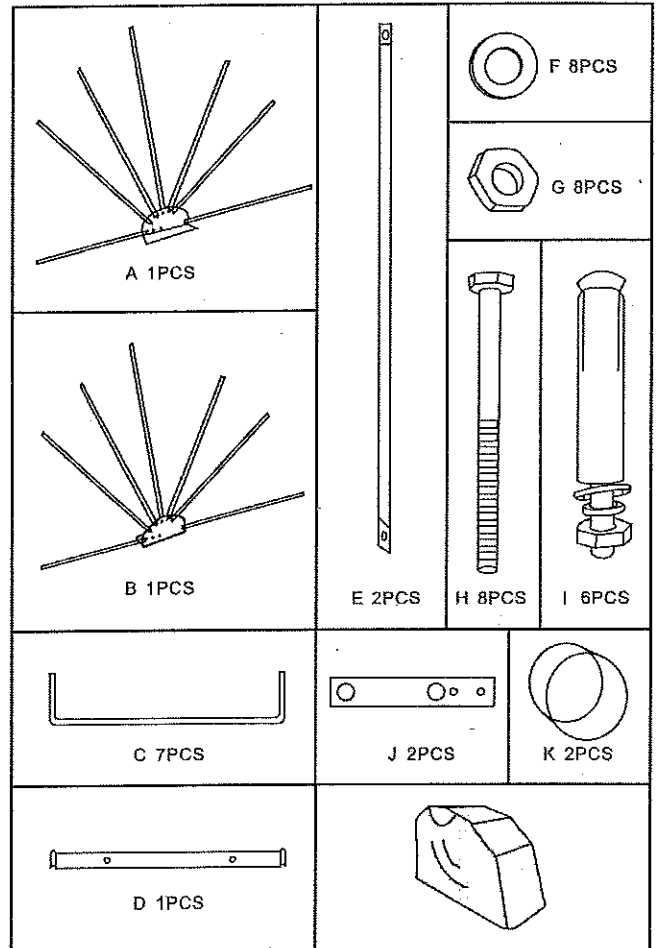
## Assembly Manual for Armadillo Motorcycle / Vehicle Garage Shelter



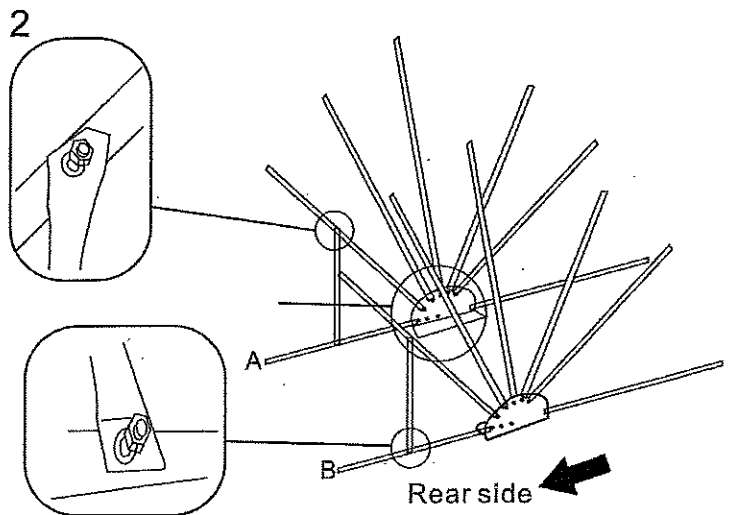
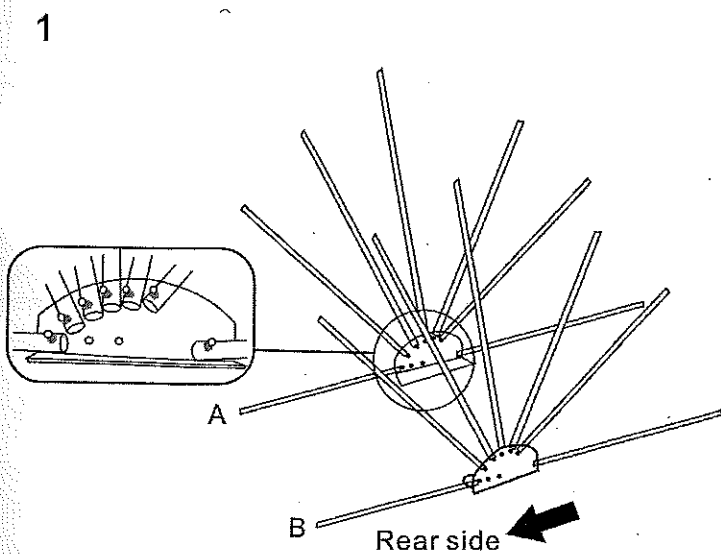
This shelter is designed to keep your vehicle clean and protected from the elements

The shelter is composed of various spare parts and fabric cover please check that you have all components shown in the chart before you start assembly

This shelter is designed to be used on a flat concrete / hard-standing surface



**STEP 1**  
Place side-section A on your right side, place side-section B on your left side, with the short first tube facing forwards (this will become the REAR of the shelter)

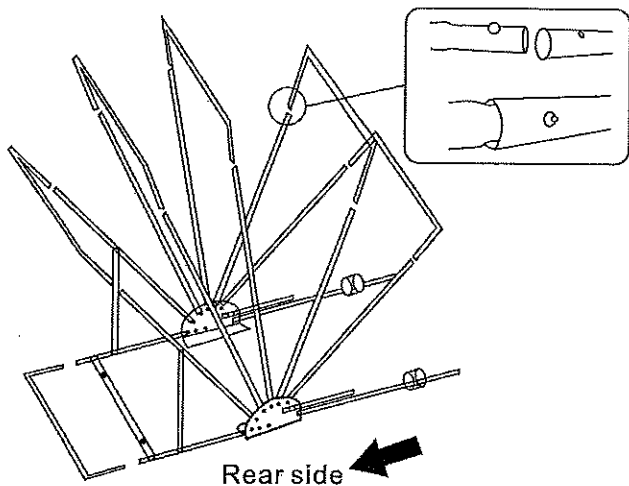


**STEP 2**  
On each side-section install brace-bar E between the first and second tubes using bolt (H), washer (F) and nut (G)

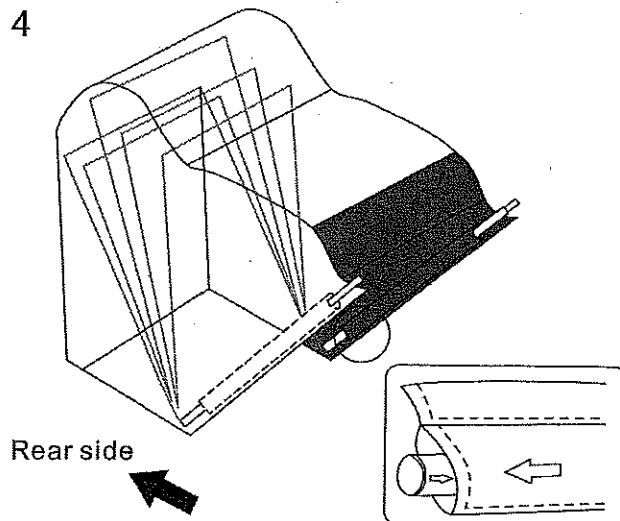
### STEP 3

Install tubes C onto the ends of tubes A and B – at this stage do NOT fit a C tube onto the rear tubes of A and B. The shelter frame should now be rigid and stand up itself  
Install the cross brace-bar D between the front tubes of A and B  
Install a security bar J onto each of the base plates of A and B using bolt (H), washer (F) and nut (G)  
Slide a security sleeve K onto the last tubes of A and B (do NOT slide the sleeves over the security bars J)

3



4



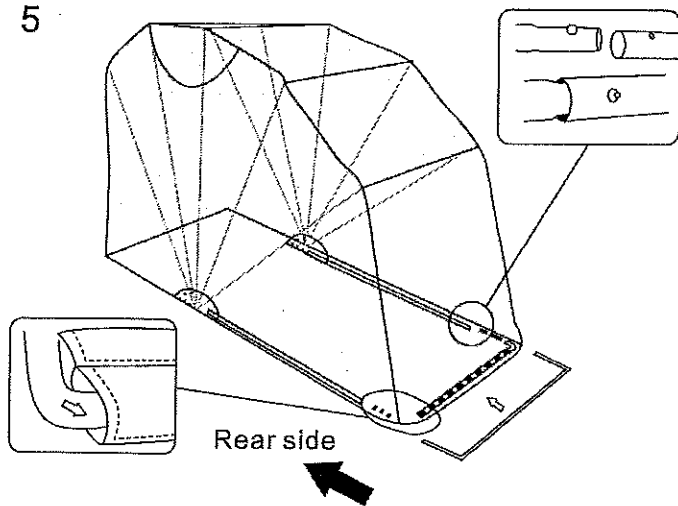
### STEP 4

Take the cover and place over the assembled frame. NB the end of the cover with the velcro fasteners should be at the REAR of the shelter frame  
Slide the remaining tubes of A and B through the bottom sleeves of the cover

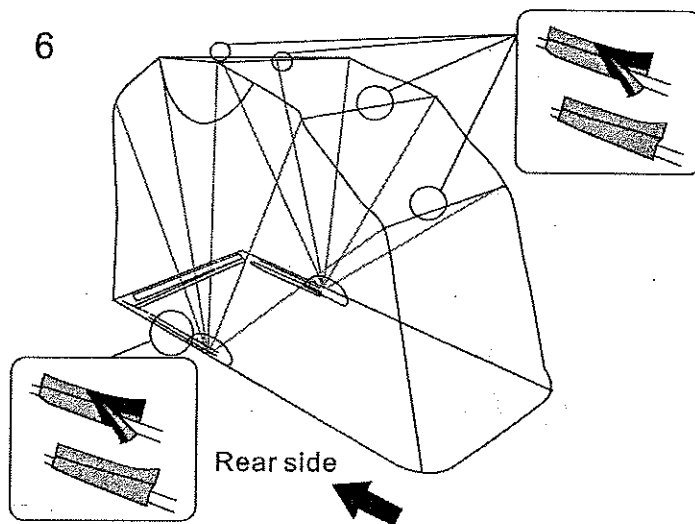
### STEP 5

Slide the remaining tube C through the bottom end sleeve of the front of the cover  
Connect tube C to the remaining tubes of A and B

5



6



### STEP 6

On the underside of the cover, connect the tubes C by the velcro attachments

#### Fastening shelter to concrete / hard-standing surface

The shelter should be fixed to the floor using expansion screws (I) through brace-bar D and the base plates of A and B  
Use a suitable masonry drill bit to create correct size hole for expansion screws (I)  
The concrete / hard-standing surface should have a depth of 30cm or more

#### Using shelter

Fully open the shelter by carefully pushing the tubes C towards the back of the shelter  
Wheel the motorcycle / vehicle into the storage area, locate the front wheel as far towards the back of the shelter as possible. Secure in place on the vehicles stand – ensure the vehicle cannot move or fall  
It is recommended that the vehicle is secured using suitable ground anchors, chain-locks and disc-locks  
Close the shelter by pulling the tubes C towards the front of the shelter, ensuring the cover and tubes do not snag on the vehicle

#### Locking shelter

With the vehicle located inside the shelter and the shelter closed, slide the security sleeve K over the security bar J on each side (this prevents the shelter folding)  
Use a suitable chain lock or shackle lock through the two holes in the security bar J on each side, ensuring that the security sleeve K cannot pass over the locks

Manufactured for Bike It International Ltd UK, 2016

[www.bikeittrade.com](http://www.bikeittrade.com)